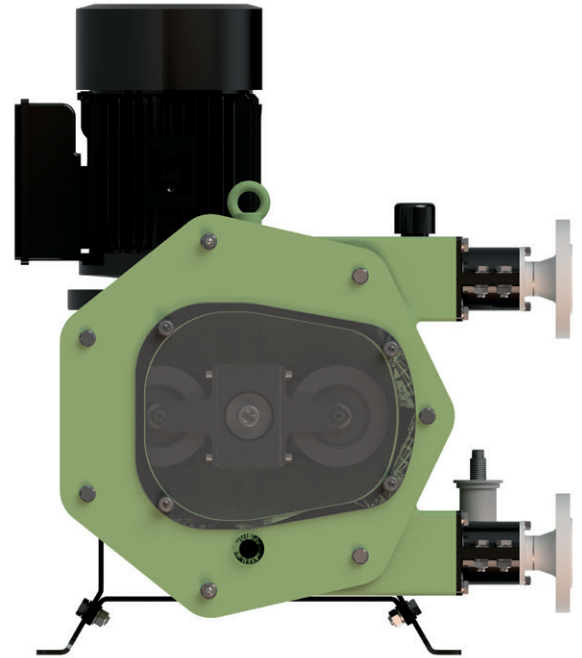


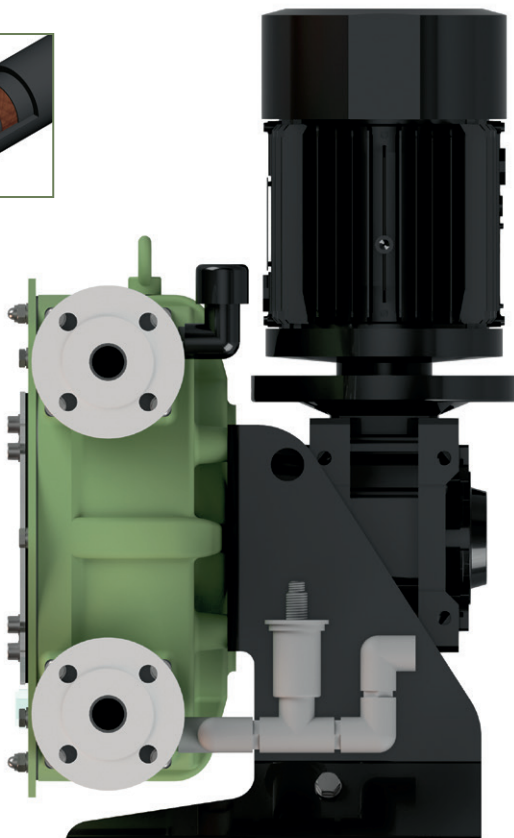
# PERIBEST C35 DATASHEET

TECHNICAL SPECIFICATIONS	MODEL C35
Max. Flow (continuous)	3200 l/h
Capacity	0,748 l/rev
Max. Discharge Pressure	10 bar
Max. Temperature	80 °C
Inner Diameter	35 mm.
Hose material	NR, EPDM
Connections material	AISI-316, PP, PVDF (PTFE)
Pump casing material	Alluminium Tefzel® coating



## MAIN FEATURES AND BENEFITS

④



① THE BEST SOLUTION FOR DOSING AND TRANSFER ALL KIND OF ACIDS AND CORROSIVE PRODUCTS.

PUMP CASING AND FRONT COVER COATED IN TEFZEL® TOTALLY ANTICORROSIVE.

② HOSE LEAKAGE SENSOR AND DRAINAGE SYSTEM INCLUDED.

FLOAT LEVEL SENSOR, AND DRAINAGE SYSTEM TO AVOID ANY ACCUMULATION OF CORROSIVE PRODUCTS INSIDE THE PUMP CASING.

③ EXTREMELY HEAVY DUTY DESIGN FOR THE MOST DEMANDING APPLICATIONS UP TO 10 BAR.

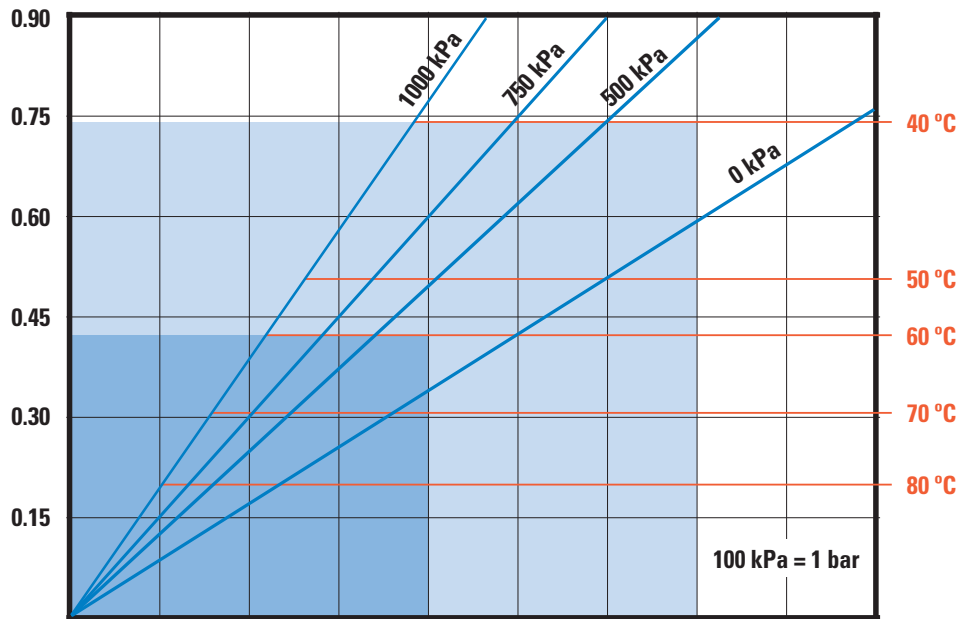
UNMATCHED PUMP LIFE AND EXCELLENT EQUIPMENT PERFORMANCE UNDER ANY OPERATING CONDITIONS HOWEVER DEMANDING.

④ LATEST TECHNOLOGY PERISTALTIC HOSE.

SAVING ON HOSE CONSUMPTION AND EASE OF INSTALLATION DOWNTIME OPTIMISATION.

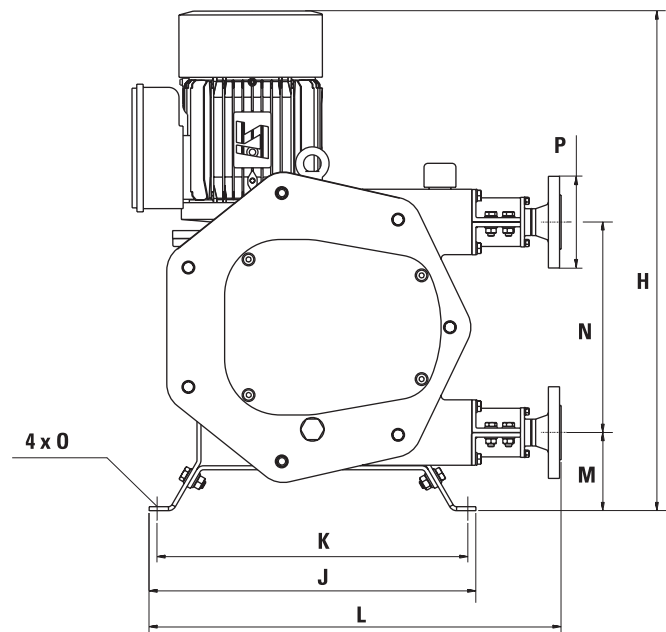
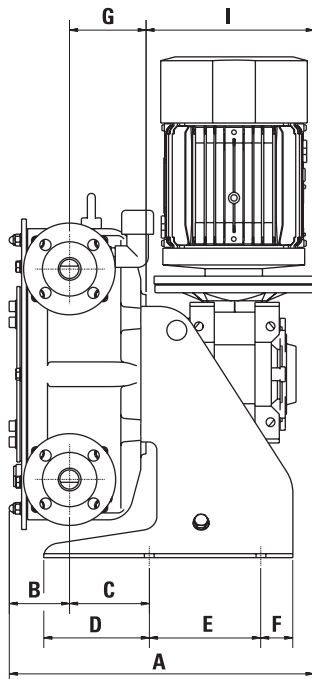
**REQUIRED  
MOTOR POWER (KW)**

**PRODUCT  
TEMPERATURE (°C)**



<b>PUMP SPEED (RPM)</b>	10	20	30	40	50	60	70	80	90
<b>CAPACITY (L/H)</b>	449	897	1346	1794	2243	2692	3140	3589	4037

<b>PRESSURE (kPa)</b>	0 kPa	500 kPa	750 kPa	1000 kPa
<b>TORQUE (Nm)</b>	80	120	145	185



MODEL	A*	B	C	D	E	F	G	H	I*	J	K	L	M	N	O	P
C35	408,6	85,1	134,5	161,8	140	40	112,5	677	211	460	440	583	105	330	12	DN-32

\*Depending on the driver, dimensions could change.

[www.peribest.com](http://www.peribest.com)

Production Plant  
**PeriBest Pumps S.L.**  
 C/ Can Parellada, num. 26 Nave 10  
 Pol. Ind. Sector H  
 E-08170 Montornés del Vallés  
**Barcelona**  
 Tel. +34 935 992 214