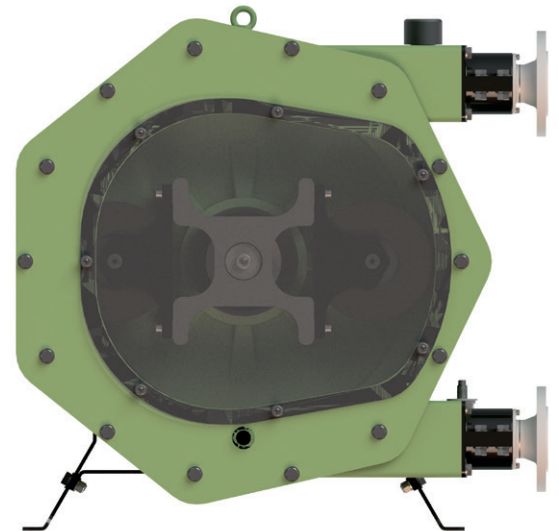
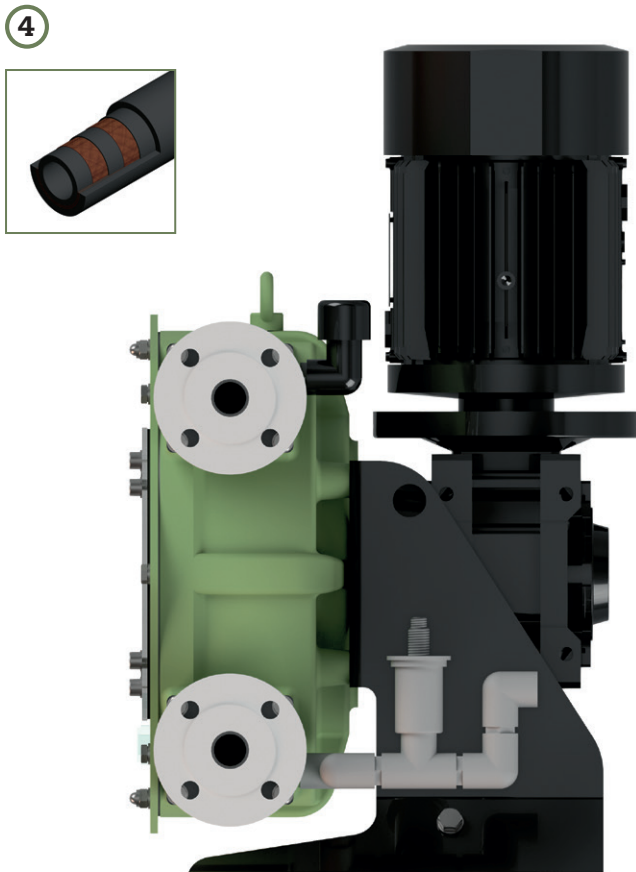


PERIBEST C55 DATASHEET

TECHNICAL SPECIFICATIONS	MODEL C55
Max. Flow (continuous)	13000 l/h
Capacity	3,533 l/rev
Max. Discharge Pressure	10 bar
Max. Temperature	80 °C
Inner Diameter	55 mm.
Hose material	NR, EPDM
Connections material	AISI-316, PP, PVDF (PTFE)
Pump casing material	Alluminium Tefzel® coating



MAIN FEATURES AND BENEFITS



- ① THE BEST SOLUTION FOR DOSING AND TRANSFER ALL KIND OF ACIDS AND CORROSIVE PRODUCTS.

PUMP CASING AND FRONT COVER COATED IN TEFZEL® TOTALLY ANTICORROSIVE.

- ② HOSE LEAKAGE SENSOR AND DRAINAGE SYSTEM INCLUDED.

FLOAT LEVEL SENSOR, AND DRAINAGE SYSTEM TO AVOID ANY ACCUMULATION OF CORROSIVE PRODUCTS INSIDE THE PUMP CASING.

- ③ EXTREMELY HEAVY DUTY DESIGN FOR THE MOST DEMANDING APPLICATIONS UP TO 10 BAR.

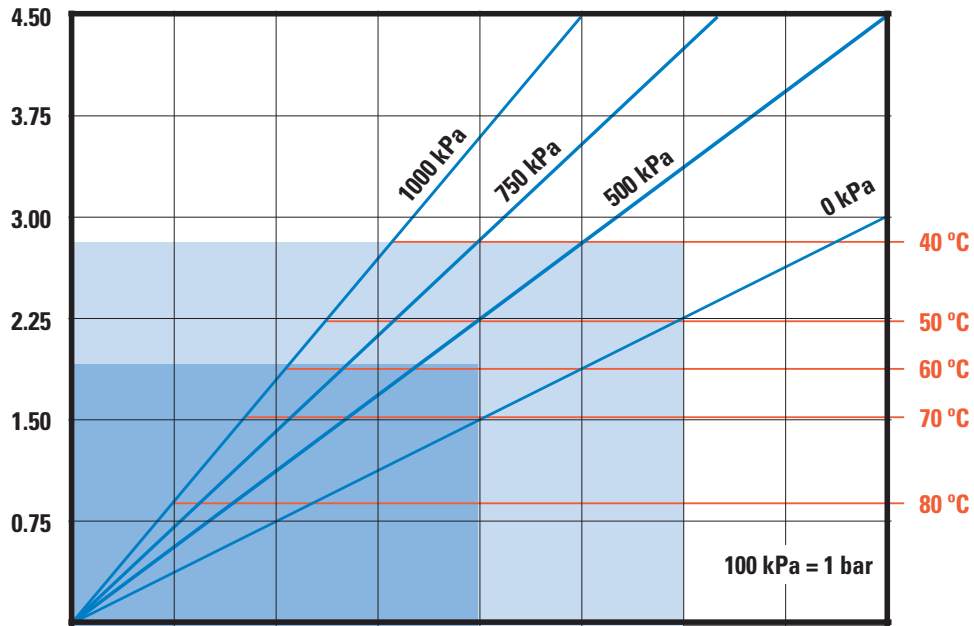
UNMATCHED PUMP LIFE AND EXCELLENT EQUIPMENT PERFORMANCE UNDER ANY OPERATING CONDITIONS HOWEVER DEMANDING.

- ④ LATEST TECHNOLOGY PERISTALTIC HOSE.

SAVING ON HOSE CONSUMPTION AND EASE OF INSTALLATION DOWNTIME OPTIMISATION.

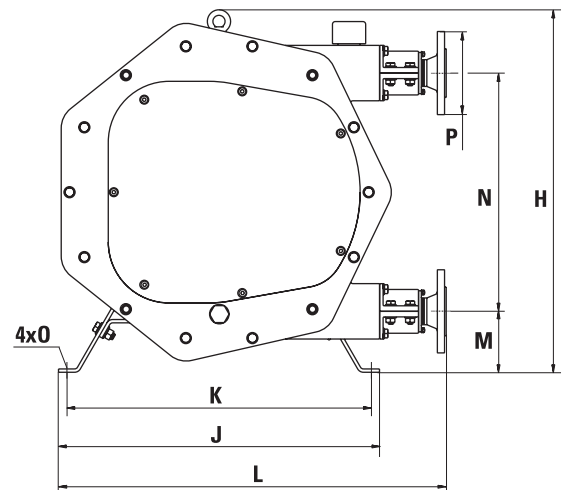
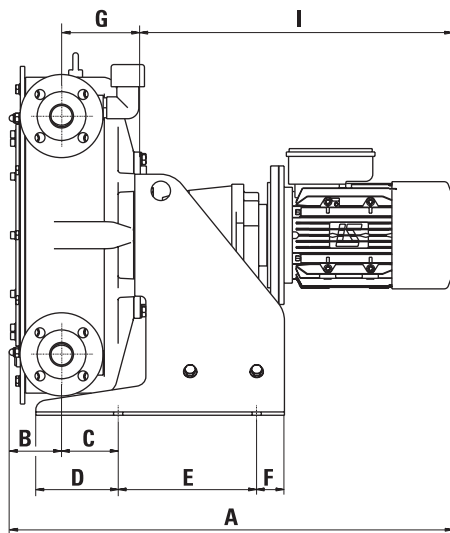
REQUIRED
MOTOR POWER (KW)

PRODUCT
TEMPERATURE (°C)



PUMP SPEED (RPM)	10	20	30	40	50	60	70	80
CAPACITY (L/H)	2120	4240	6360	8480	10600	12720	14839	16959

PRESSURE (kPa)	0 kPa	500 kPa	750 kPa	1000 kPa
TORQUE (Nm)	360	540	670	870



MODEL	A*	B	C	D	E	F	G	H	I*	J	K	L	M	N	O	P
C55	947,1	107	95	129	380	39,5	156,5	820	684	690	660	820	143	554	16	DN-50

*Depending on the driver, dimensions could change.